



2024 Collection

# NORTwood

Page 3-18



# nortWALL

Page 20-24



# Louver 100

Page 25-28



# D SOAL

Page 30-34





**NORT**wood

WPC Fluted Panel



## Product Description

NORTwood clip-system siding is an extruded WPC closed joint rainscreen siding product, designed to be installed horizontally or vertically.

Panels are available in standard lengths of 142" as well as trim components, used for covering imperfection such as along the 12' bottom and top of walls, around windows and doors, corners, end terminations and expansion.

Before installing NORTwood Cladding products, it is recommended that you check with local building codes for any special requirements or restrictions. All pictures shown are for illustration purposes only and are not intended to provide a specific work order for installation.

Any construction or use of NORTwood panels must be in accordance with all local zoning and/or building codes. The consumer assumes all risks and liability associated with the construction and use of this product.



### General Questions:

#### What are Fluted Panels?

Fluted siding is a type of moulding finish in which squared moulding is repeated in a pattern. These are more refined versions of slat walls.

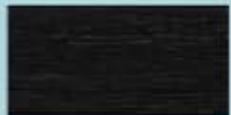
#### What Are **NORT**wood Fluted Panels Made Of?

NORTwood Fluted panels are engineered from wood fibres with a polyethylene density. NORTwood plastic composite looks like natural wood with linear or vertical designs. The material is moisture, pest, and mould-resistant.

#### What Are Fluted Panels Used For?

Fluted panels are great as extra decor features on modern homes, hotels lobbies, conference rooms, reception areas, and any space that requires luxurious touch.





Charcoal Black



Deep Gray



Norway Teak



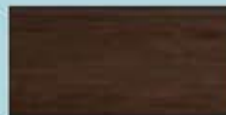
Brazil Ipe



Golden Maple



Antique Gray



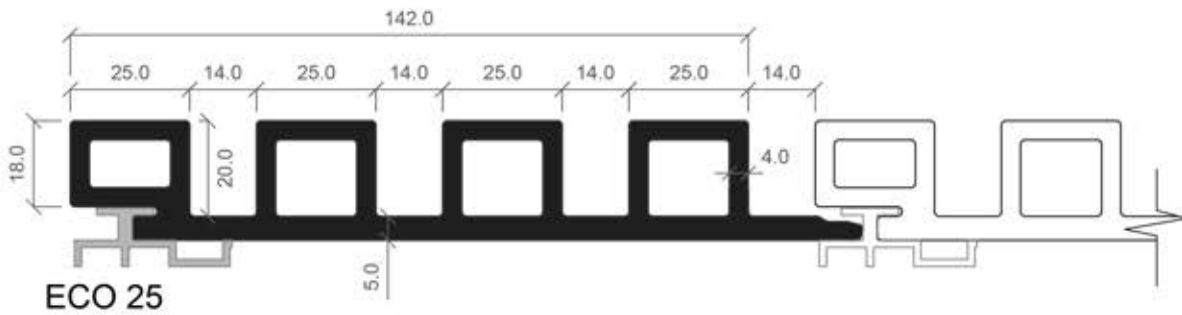
English Walnut

# ECO 25

NORTwood Fluted Panel



25mmx163mm x3600mm | 2.5 Kg/m  
(1"x 6 1/2" x 142")

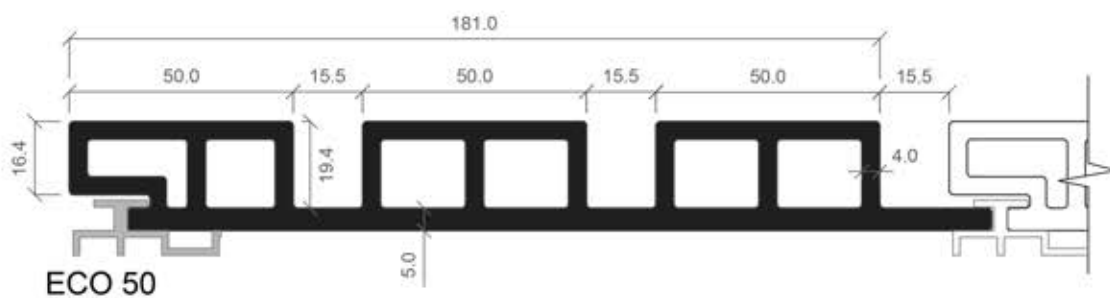








# ECO 50

NORTwood Fluted Panel



26x208mm x3600mm | 2.2 Kg/m  
(1"x 8 1/2" x 142")



Product	Material		Part
Panel Clip	Aluminum		
Corner S-Clip ( Optional )	Stainless Steel		
Aluminum Starter	Aluminum Profile		
F -Trim	WPC		
Corner Trim	WPC		
L -Trim	WPC		

Please be aware that in order to achieve an architectural exposed appearance and eliminate the necessity for extra trims, NORTwood panels can be readily cut and mitered for corner installations.







## Tools & Safety

Always remember to wear appropriate personal protective equipment (PPE), including eye and hearing protection.

Utilize standard wood-cutting tools such as a table saw and miter saw equipped with a carbide blade (60-80 tooth), a jig saw, a hole saw, and a drill for attachments.

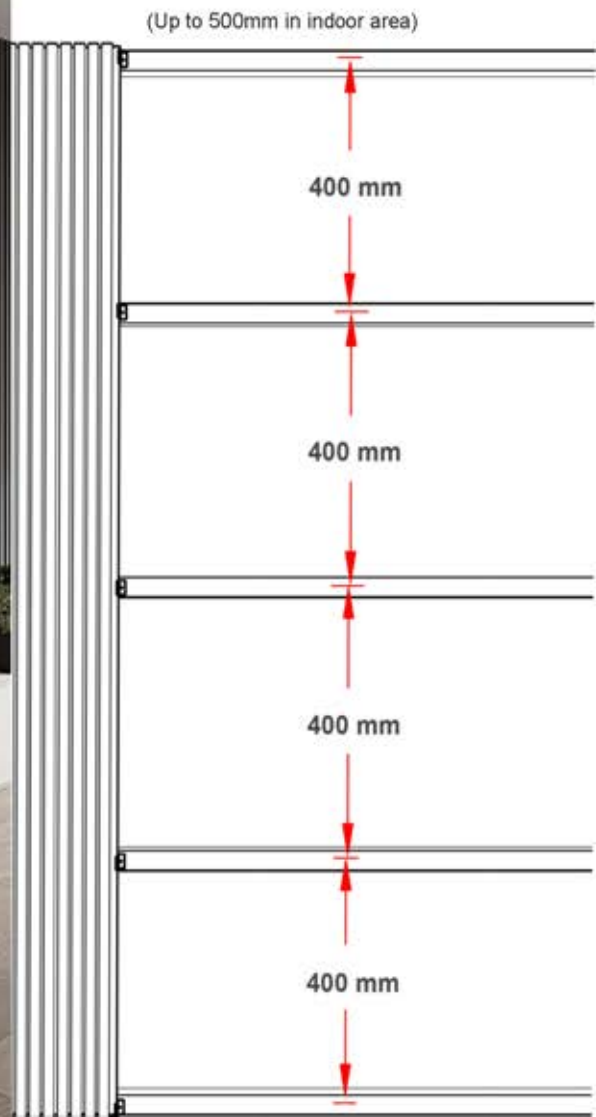
Note: Recommended Construction Adhesive is : LPG PL Premium Fast Grab 8x



# Subframe Requirements

## Wood or Steel Strapping

The studs need to have a minimum thickness of 1 inch (25 mm). Straps should be fixed into position at a maximum of 16 inches (400 mm) center to center, using a suitable Stainless Steel Countersunk Wood/Masonry screw. All studs need to be flat and leveled against the wall surface use shims if necessary. Architects should be consulted regarding weather barriers and insulation for your project. Where a weather barrier is to be used, it should be a breathable type and must be positioned behind the studs.



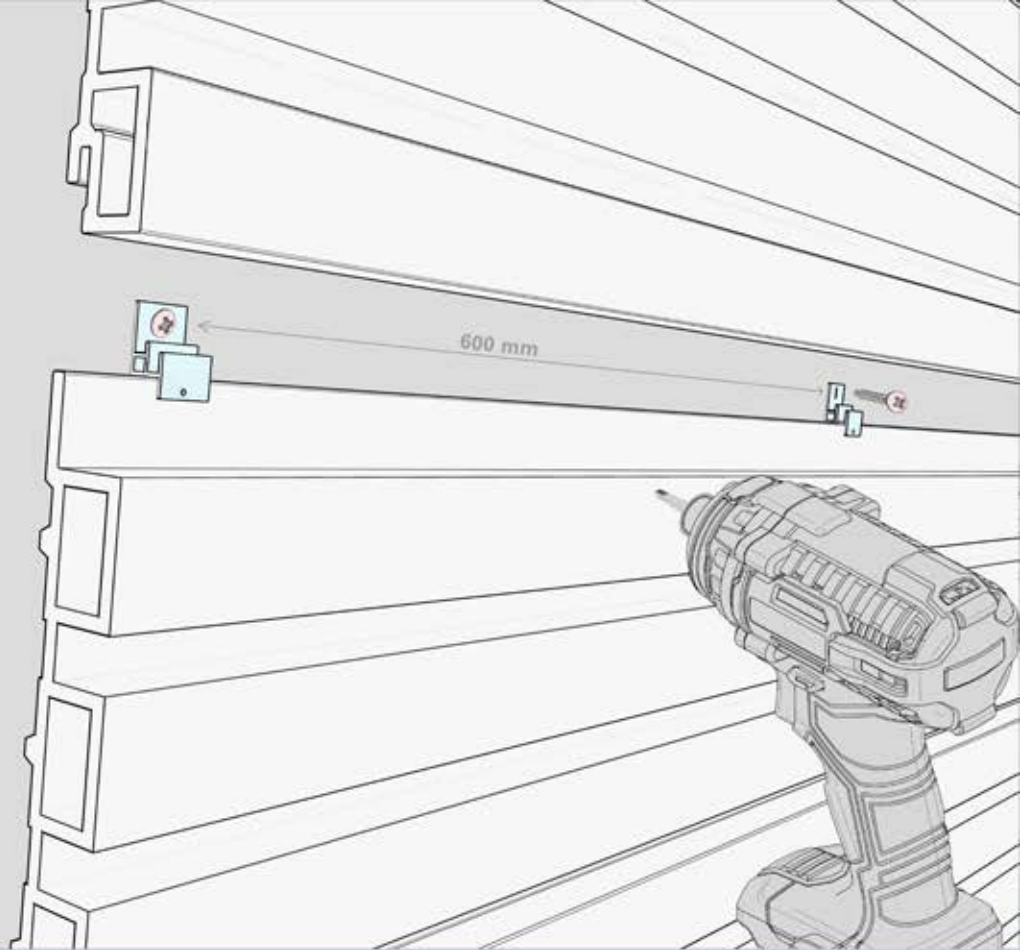
## Horizontal Paneling

Aluminum Clips should be hard fastened every 600mm directly through the clips on the substrates.

### Note:

Substrates must be able to carry the load of the panels. Please consult with your engineer or architect.

#8 pan-head screws are recommended.

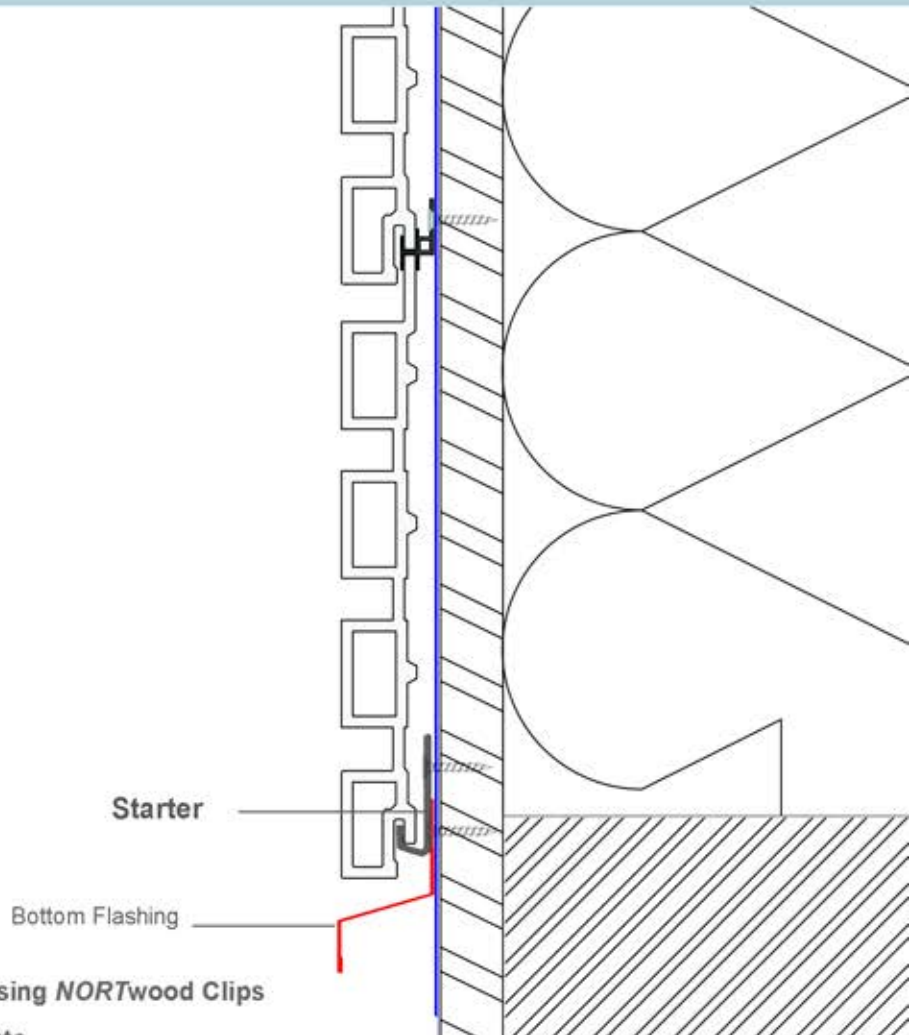


All fasteners should be suitable for exterior use and be compatible with the substrate type.

Used when locking the panels and installing into wood straps



Used when locking the panels and installing into metal studs



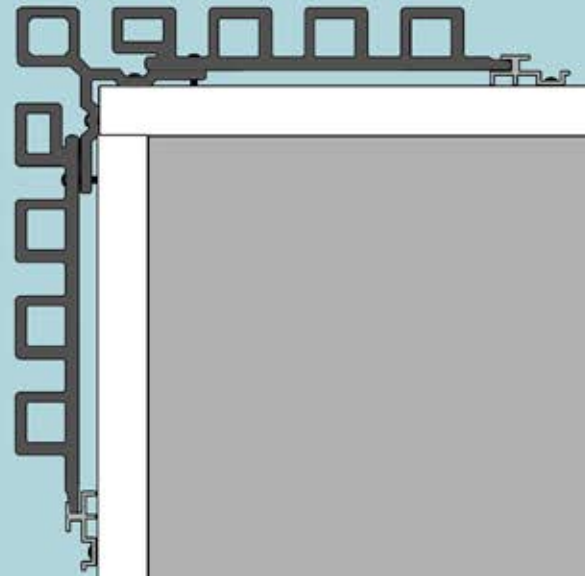
Panels & Starter components are secured using *NORT*wood Clips (Fastened every 400mm (16") to the substrate.



# Vertical Paneling



Outside Corner Trim



Place the corner trim on the perpendicular wall and adjust it so that one edge is flush with the surface of the panels. Hold it in place with two finish nails then screw to the wood or steel studs.



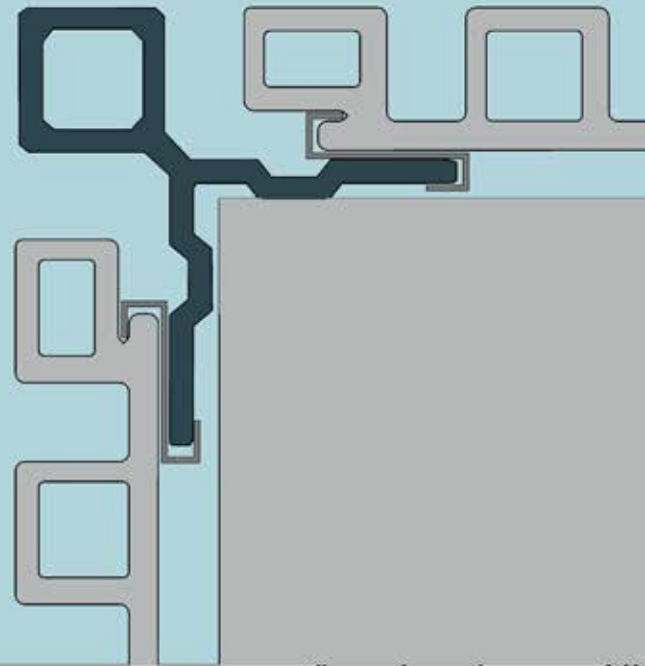
Use same color screws between flutes for all corners

## Option 2:

### Use of S-Clips for Starting Corner

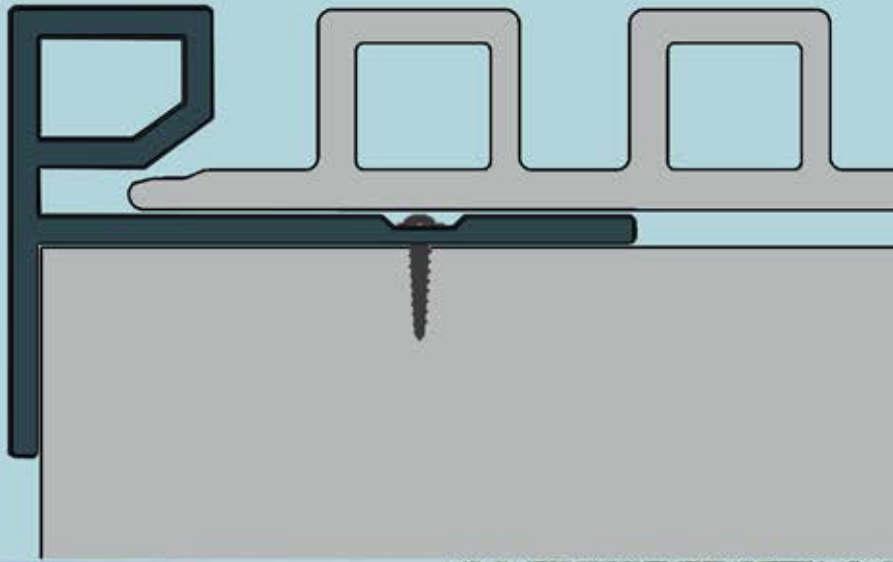
#### Note:

In case of using S-clips, all panels should be resting on solid surface or L-trim to avoid sliding down. This method helps to avoid use of visible screws.



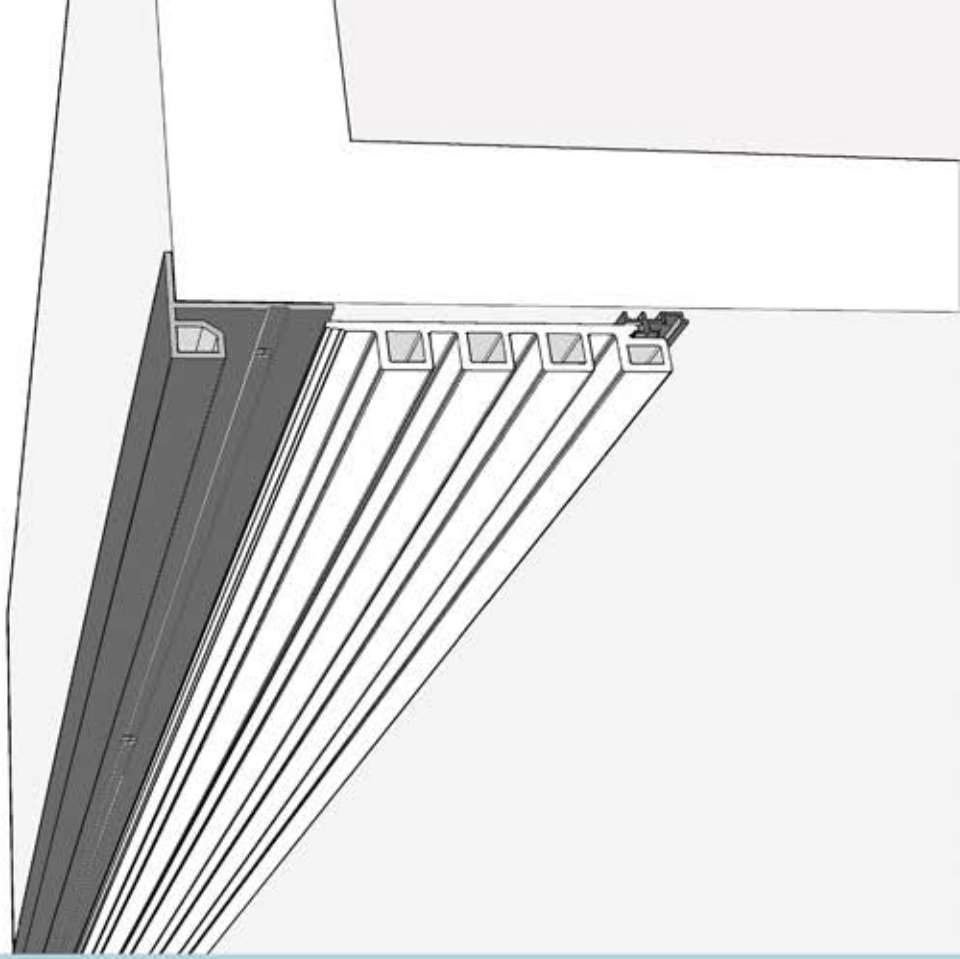


F-Trim

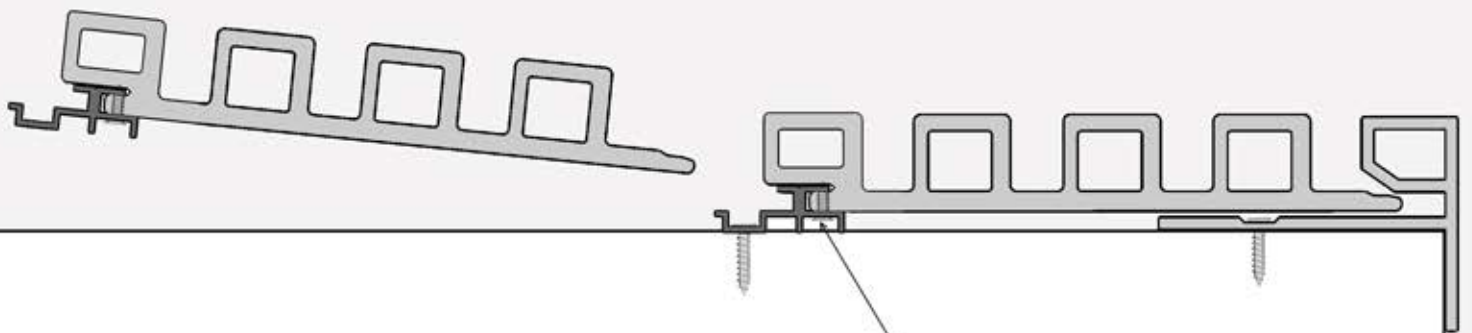


**I**N vertical paneling, there is a high chance of panels sliding down, especially during the winter when the panels begin to shrink.

To prevent this issue, the clips must be fastened to the back side of the panels.



All fasteners should be suitable for exterior use and be compatible with the substrate type.



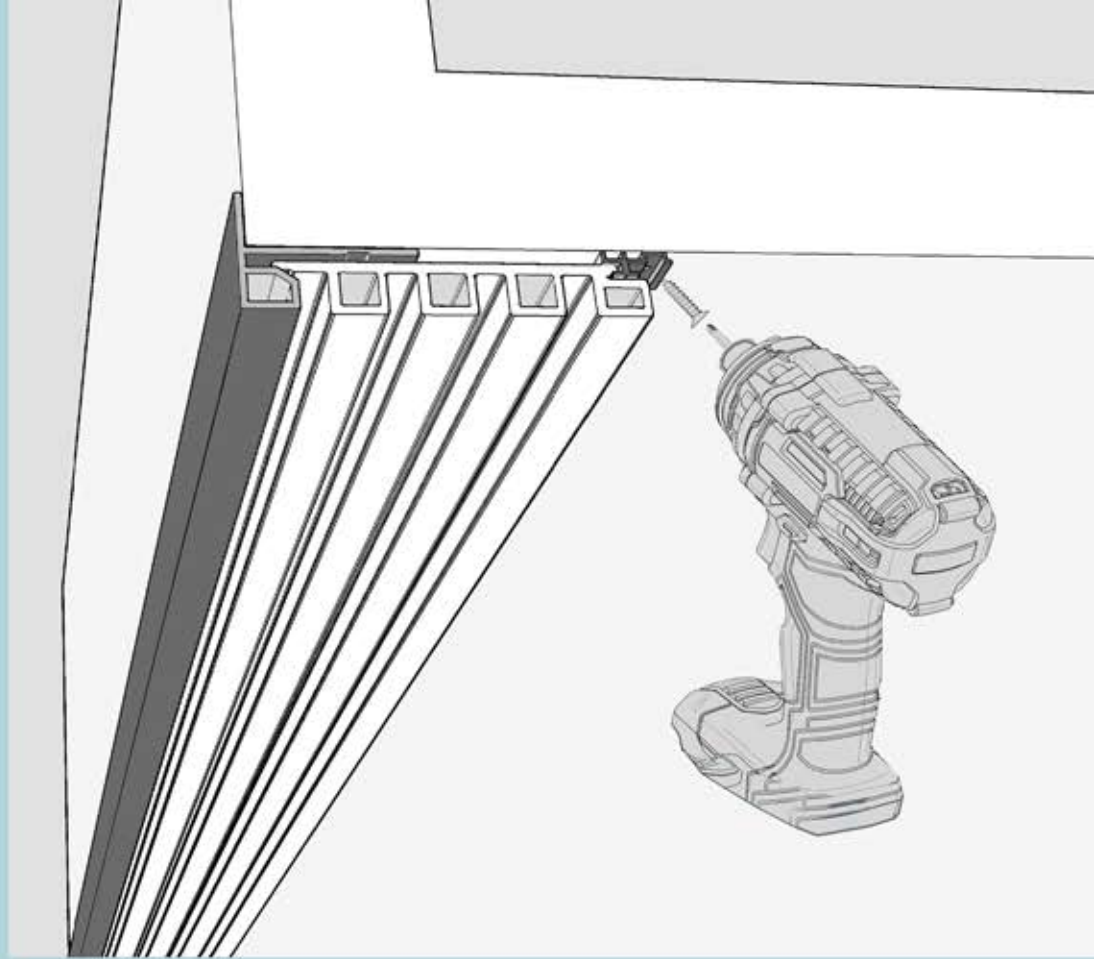
Screw the clip to the panel from the back.



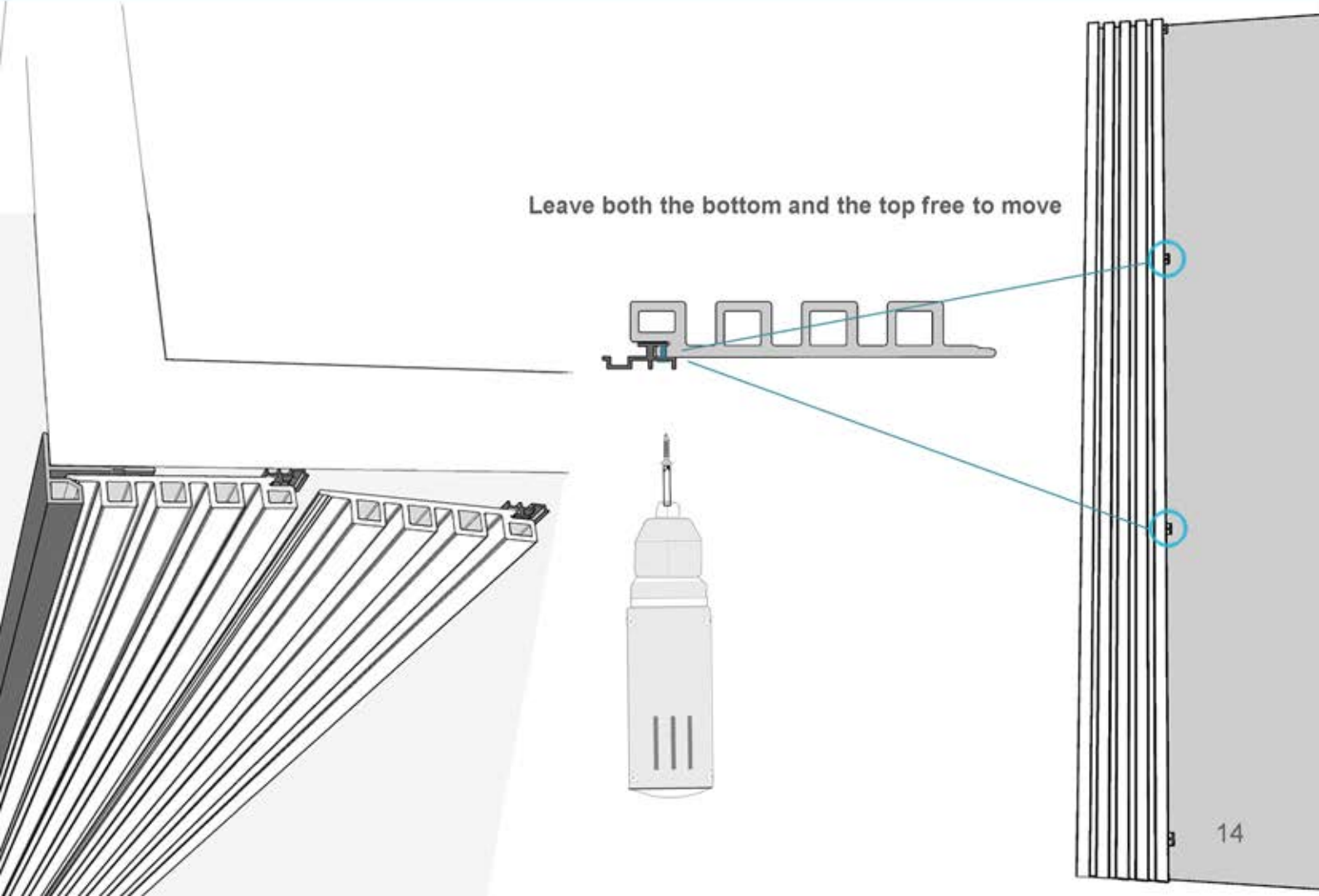
**Clips fastened to the back side of the panels.**

First Install the F-Trim then slide the first fluted panel and fasten to the wall using clips.

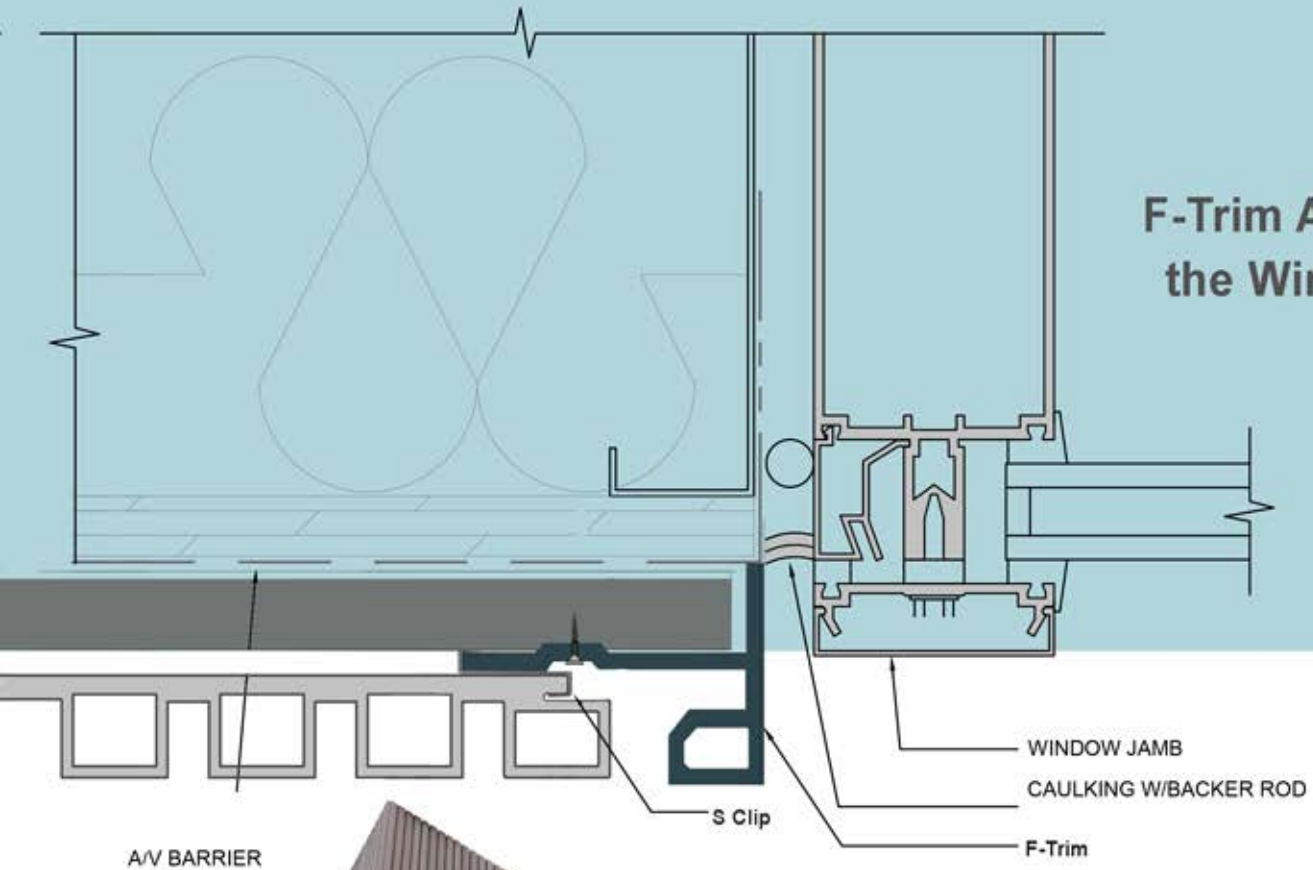
To allow for panel expansion, attach only the middle clips to the panels from the back side. See below figure.



Leave both the bottom and the top free to move

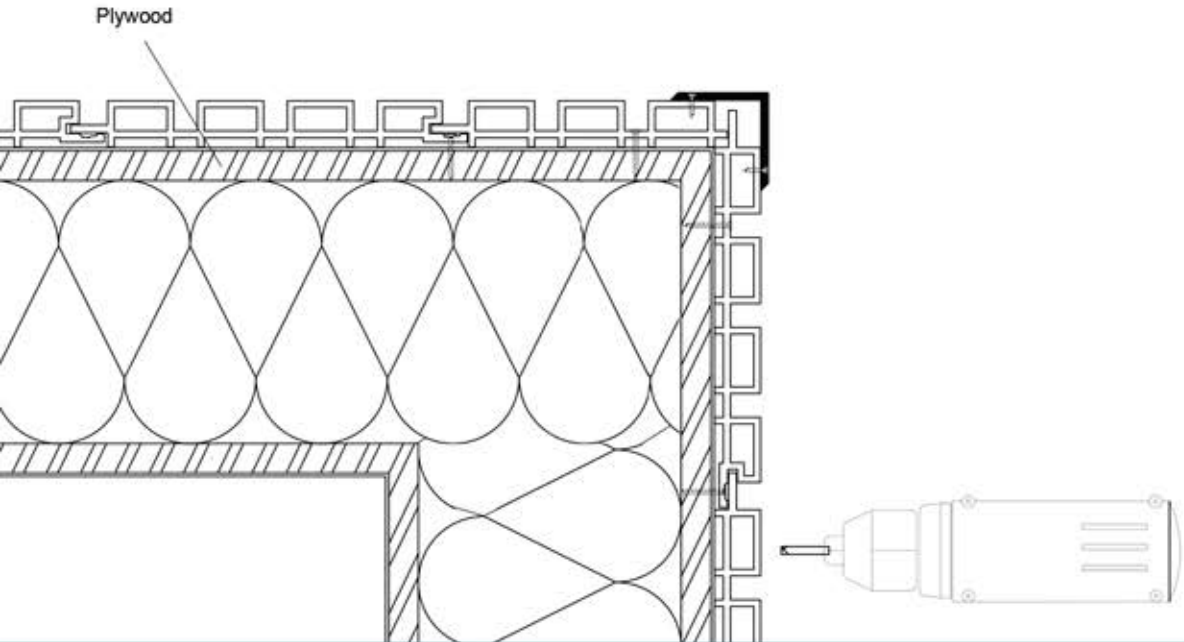


## F-Trim Around the Windows





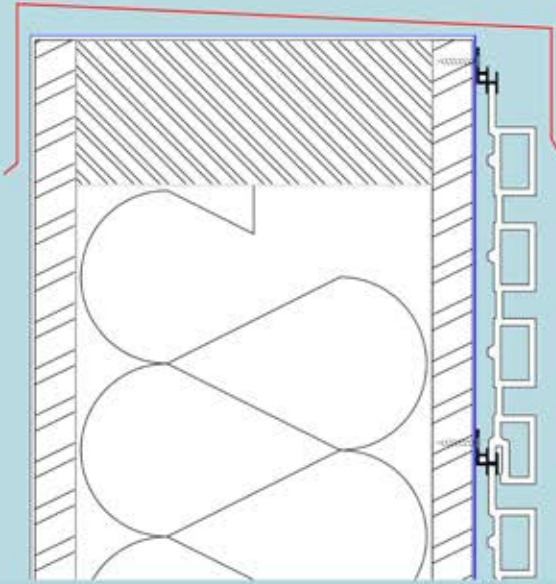
# Architectural Corner Ideas



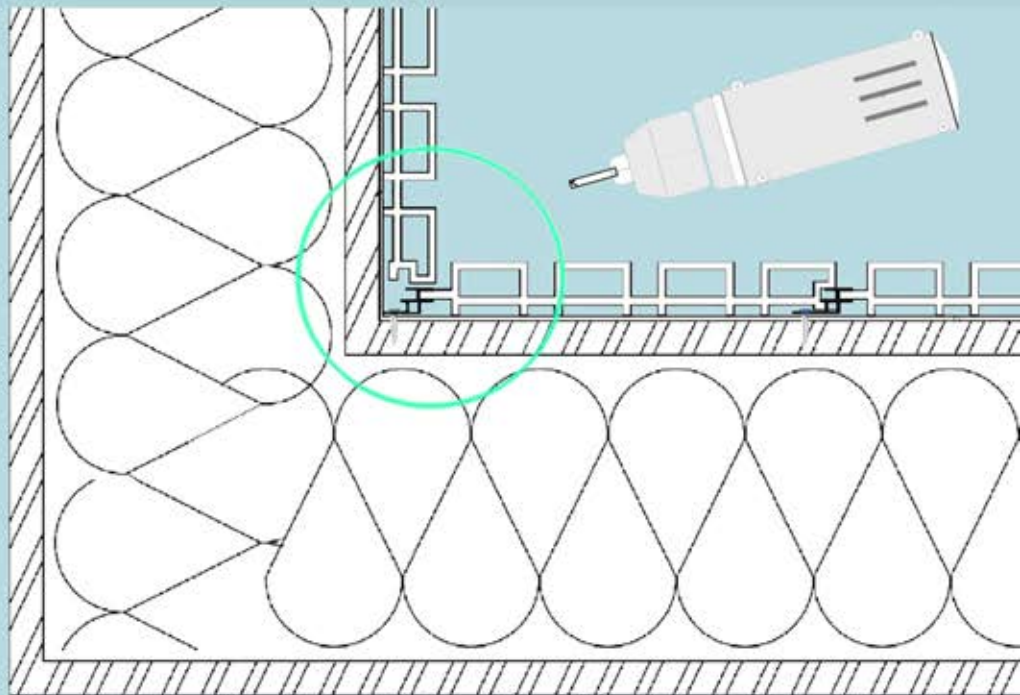
## L Trim Corner



Top Panel Detail



Inside Corner

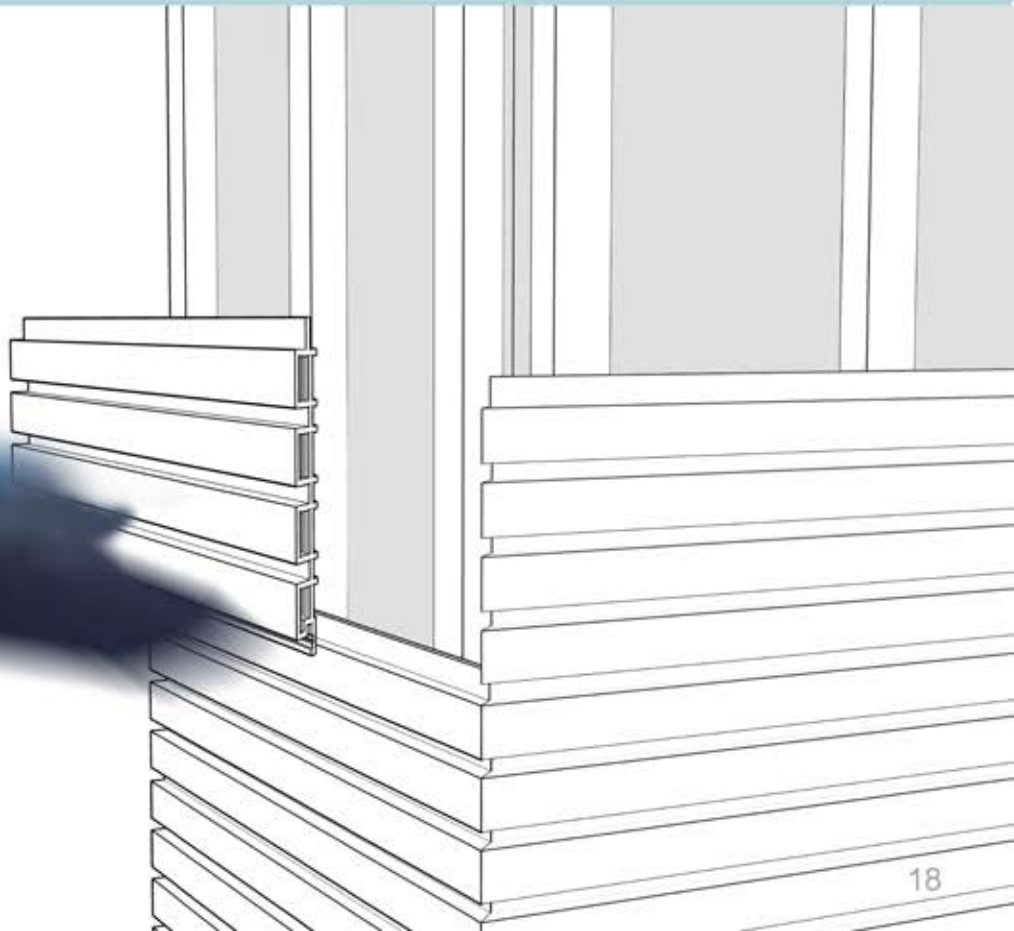




## Miter Cut Corner



To miter a corner, measure the length from the edge of the soffit or outside corner to the base of the wall. Use this measurement to mark a suitable length on a mitered panel with a marker. Draw a line through the mark using a rafter angle square, then cut the board with a miter saw tool.





**NORT**wood



**nortWALL**  
uPVC Siding





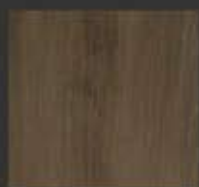
## nortWALL Color Collection



Walnut Wood



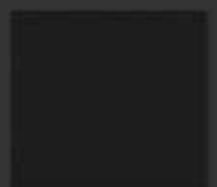
Turner Oak



Oak Toffee



Black Wood



Jet Black





**F Trim**

12' Aluminum 2-Piece System (Base & Top)  
For ends, inside corners Exposure Width: 1 1/2"



**H Trim**

12' Aluminum 2-Piece System (Base & Top)  
For transitions Exposure Width: 2 1/2"



**Corner Trim**

Inside & Outside

12' Aluminum 2-Piece System (Base & Top)  
For outside corners Exposure Width: 1 1/2"



**J Trim**

1 1/2" x 1" x 3/4"



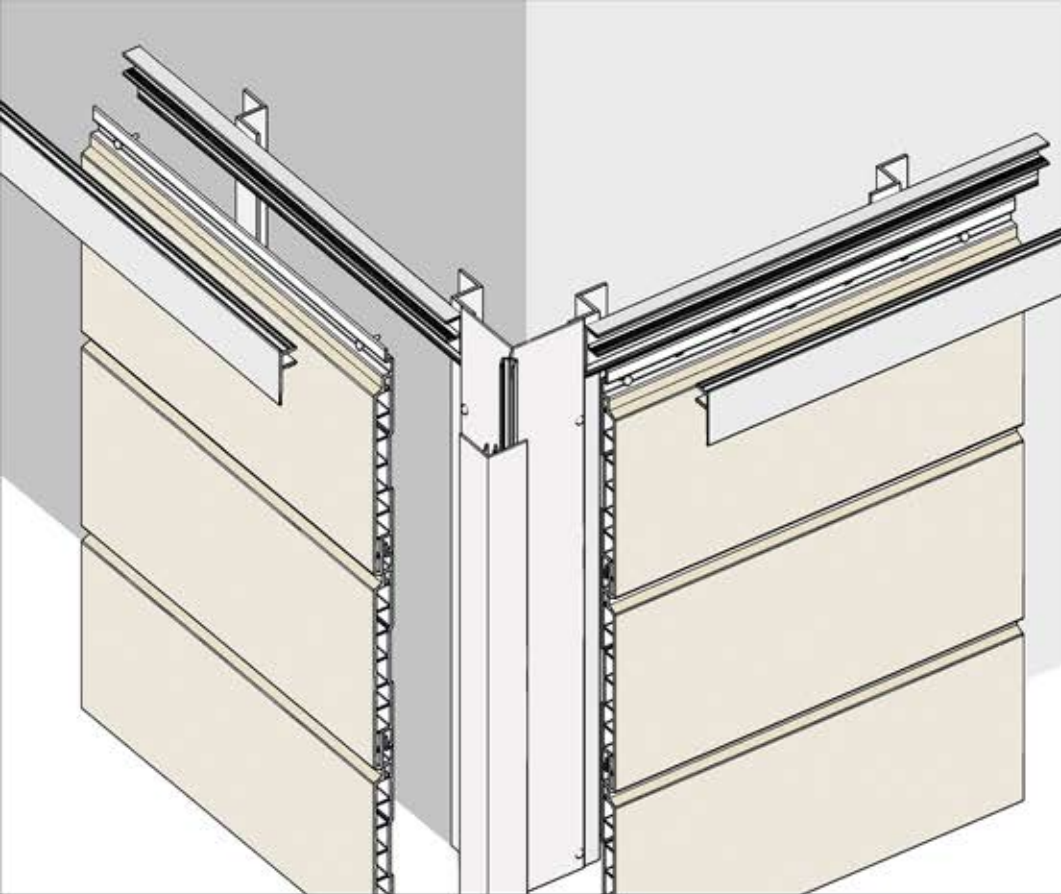
**L Trim**

1" x 3" x 10"



**Starter**

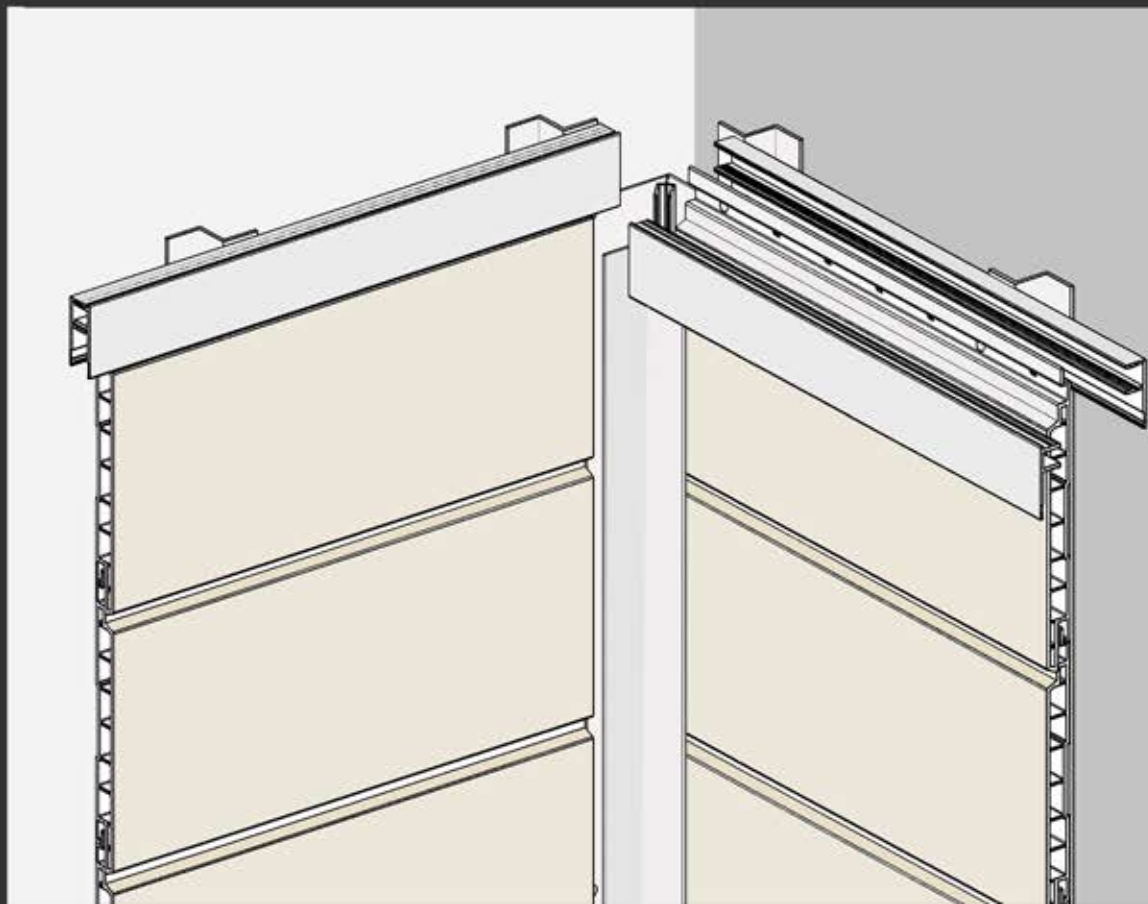
10' & 12' Aluminum



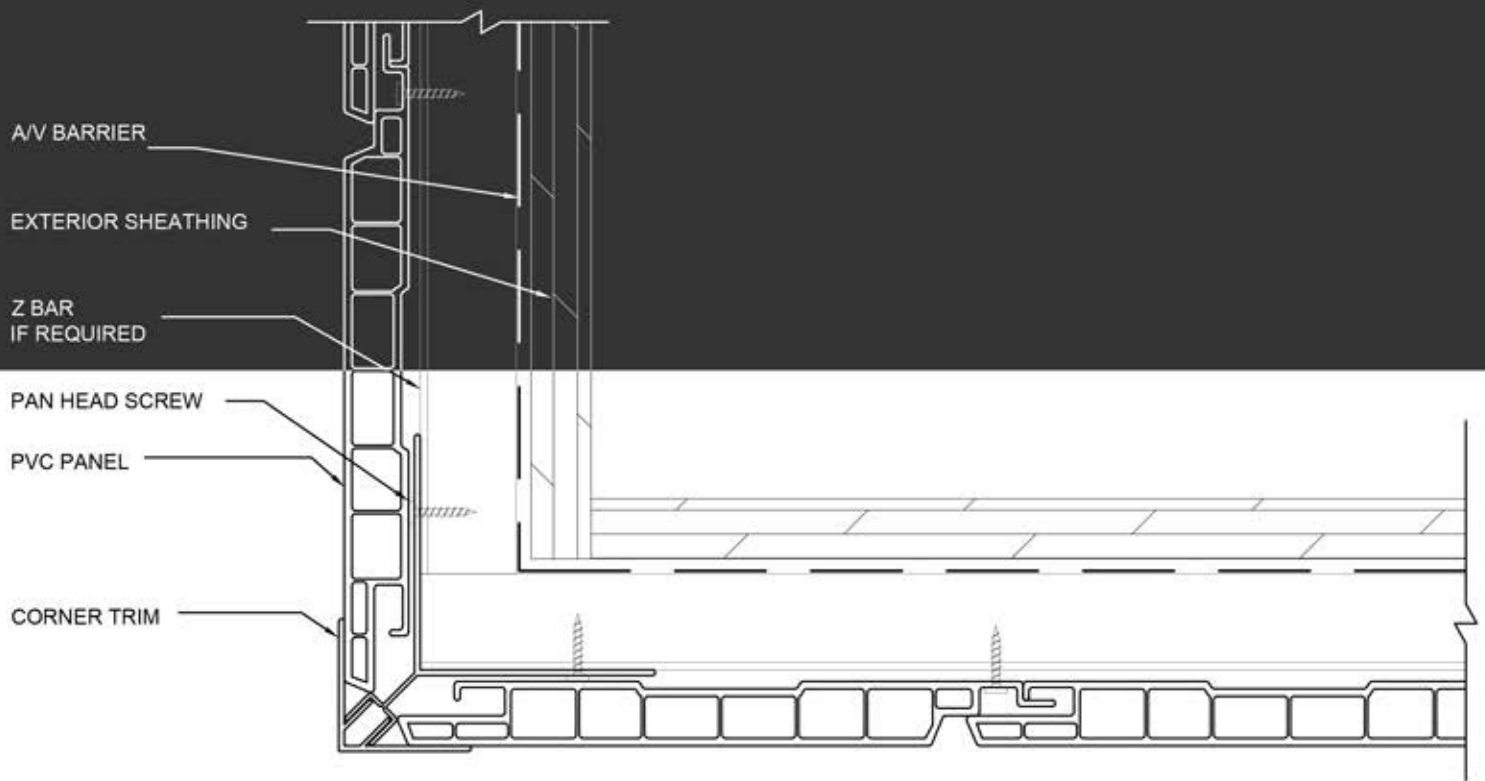
Outside Corner Trims



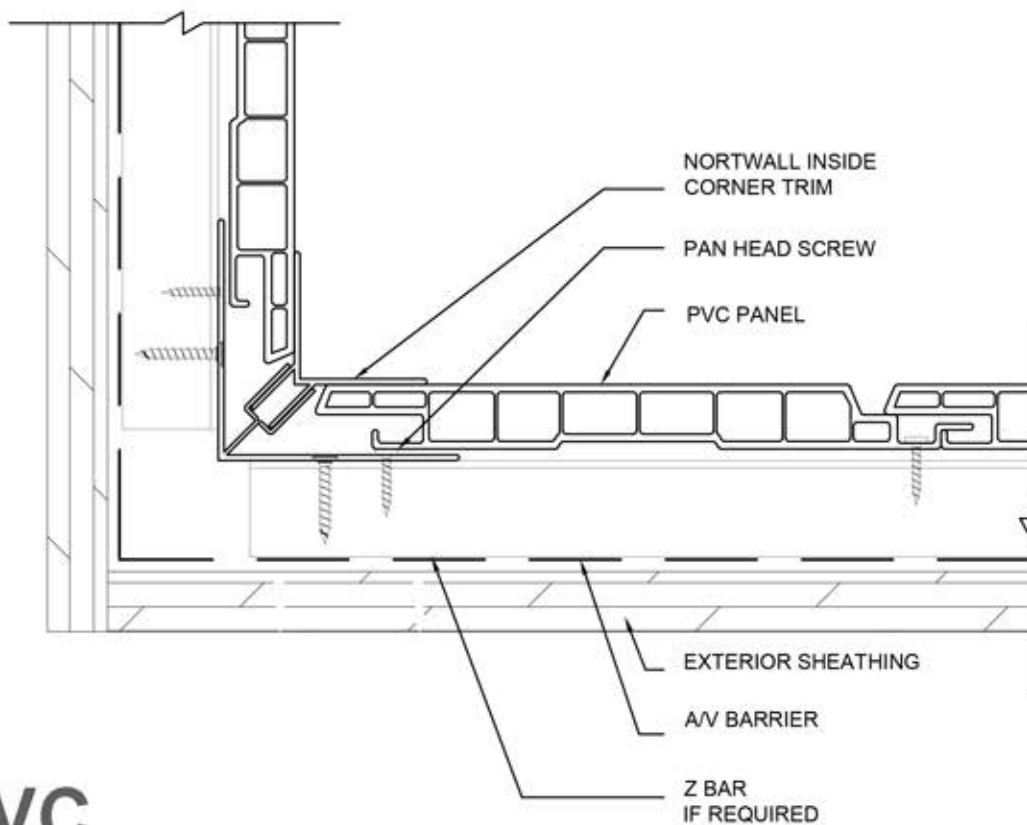
Inside Corner Trims



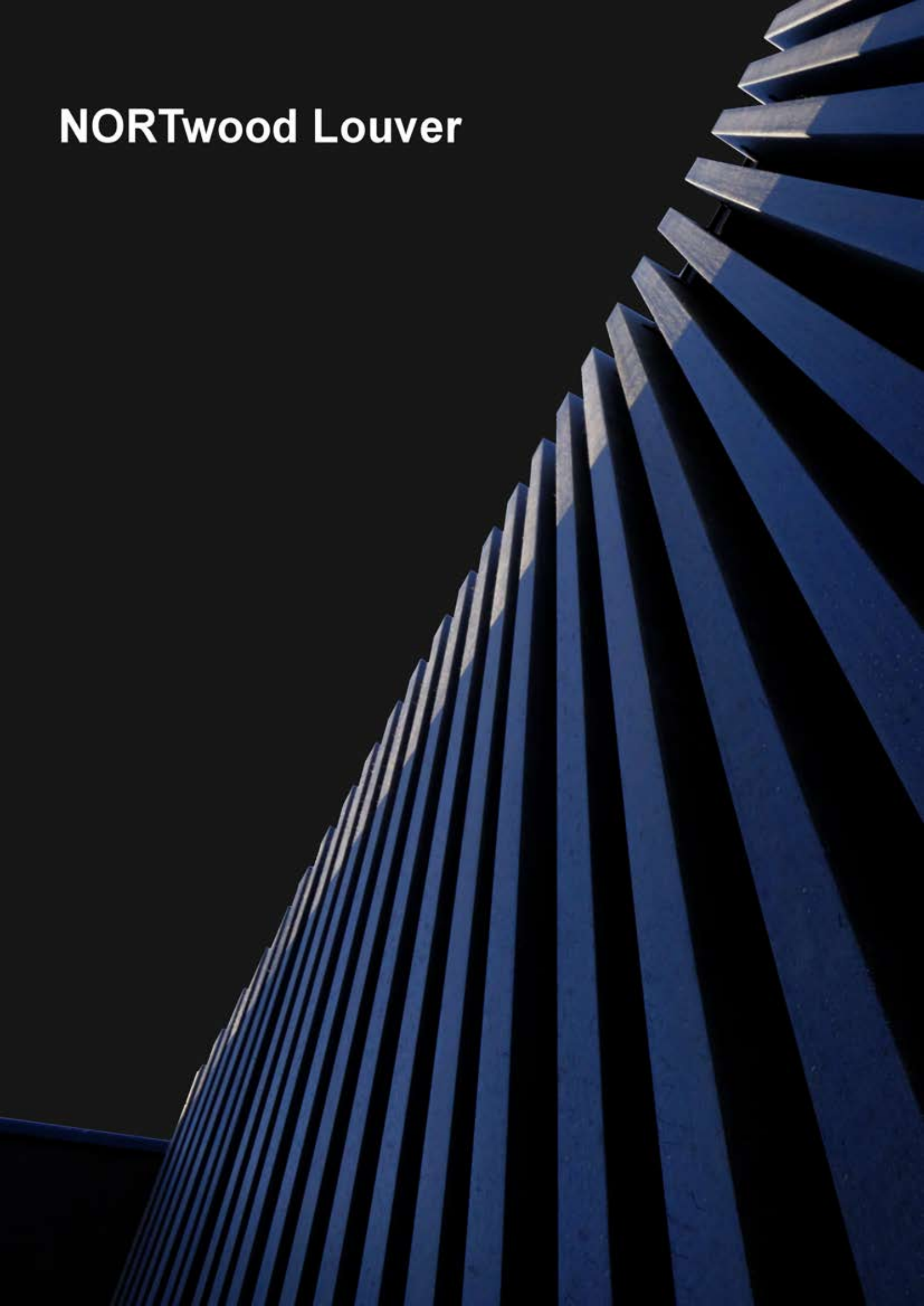




## Inside & Outside corner details



# NORTwood Louver

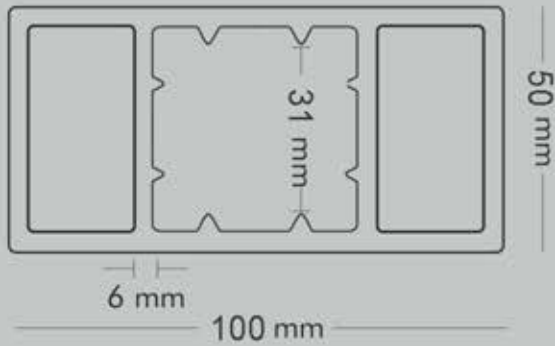




# Louver

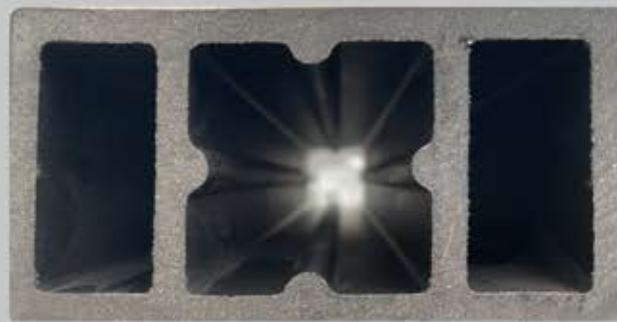
Privacy Screen

LUV100



50x100mm x3600mm | 2.5 Kg/m  
(2"x 4" x 144")

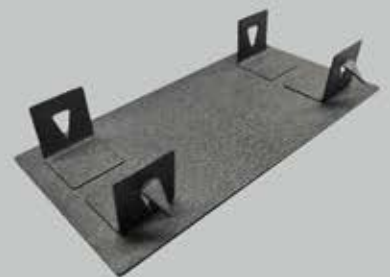




M6 Louver Screw



Louver Bracket

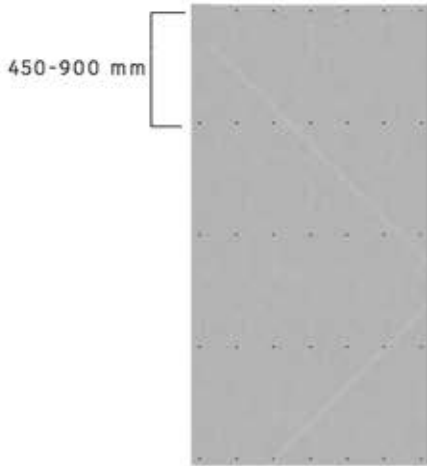


Louver Cap

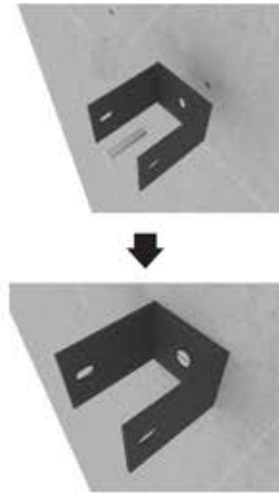


# Louver Installation

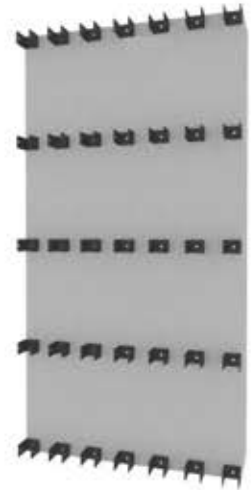
- 1 Pre-drill hole to concrete wall , vertical best distance between every two hole is 450-900 mm. Horizontal distance between two hole will be pre-drilled according to needed distance.



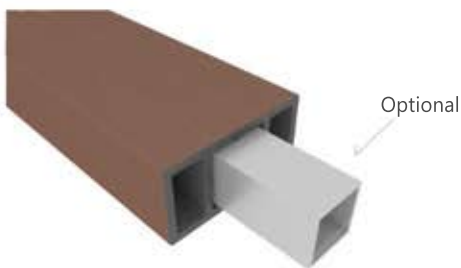
- 2 According to pre-drilled hole, use expansion screw to fix U shape fastener to the concrete wall.



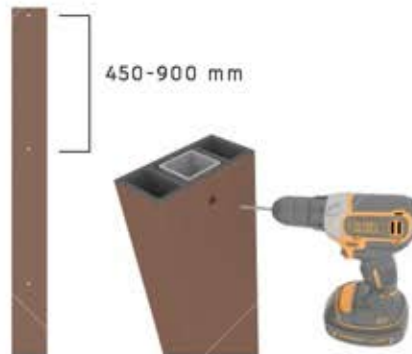
- 3 Reference picture



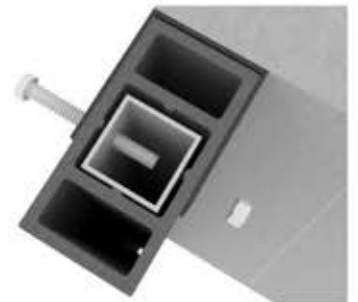
- 4 Insert Galvanized square pipe ( Optional) into WPC louver tube, Galvanized pipe should be same length as WPC tube.



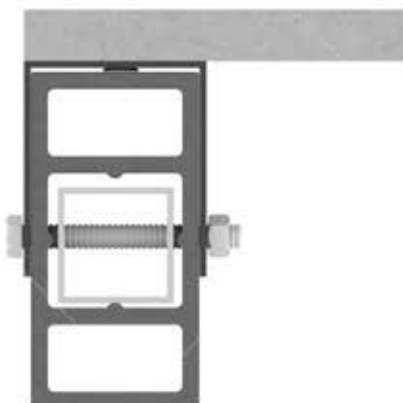
- 5 Pre-drill Galvanized square pipe and WPC louver tube at the same time, distance of pre-drill hole should be same distance as pre-drilled hole on wall.



- 6 Put louver tube into the U shape fastener, and then use core screw to fix louver tube to the U shape fastener.



- 7 Tightening core screw till louver tube not looseness.



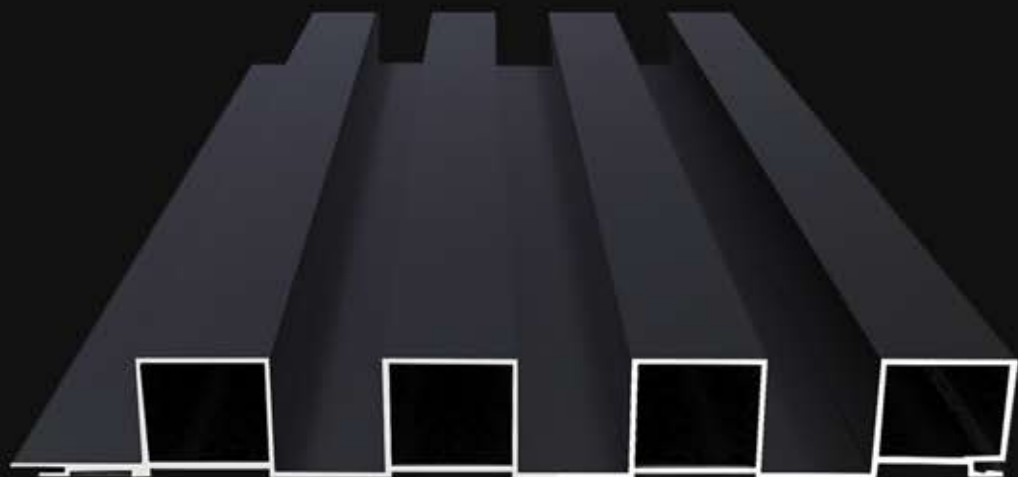
- 8 The rest can be done in the same manner to fix WPC louver tube.



- 9 Finished installation effect.



# D SOAL



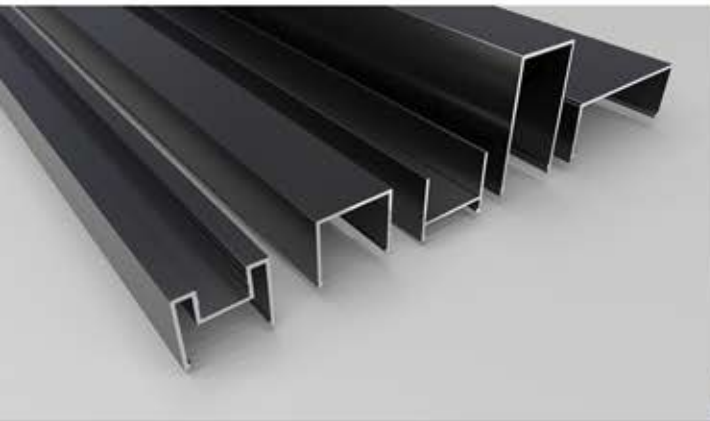




## Aluminum Fluted Panel

At the intersection of aesthetics and utility, Dsoal masterfully engineers vertical aluminum facade cladding tailored for external and commercial applications.

Available in a comprehensive palette of standard colors and designed with modularity at its core, Dsoal's architectural solutions infuse an element of sophistication. With an emphasis on accentuated features, these solutions merge additional details with such finesse that they enhance the overall facade.

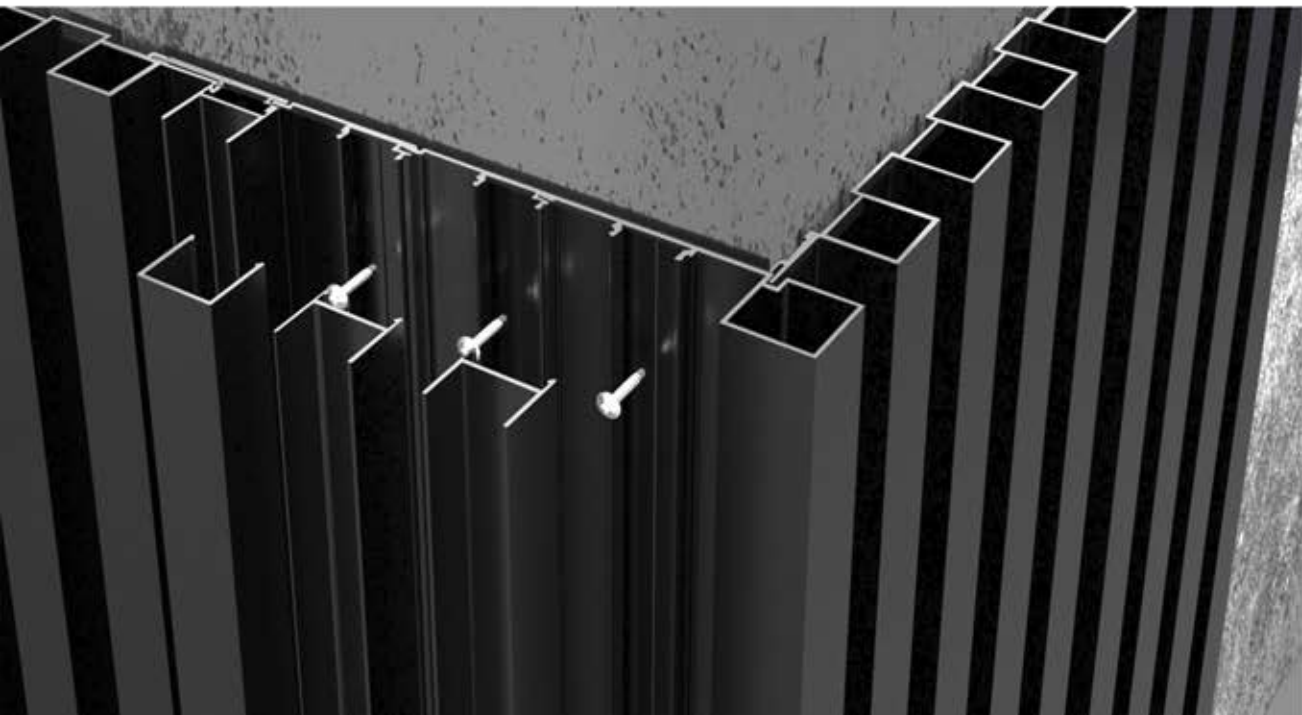


### Why You Should Choose Dsoal Panels?

**Non-Combustibility:** Safety is paramount. Dsoal Panels are non-combustible, ensuring compliance with safety standards and offering peace of mind in terms of fire resistance.

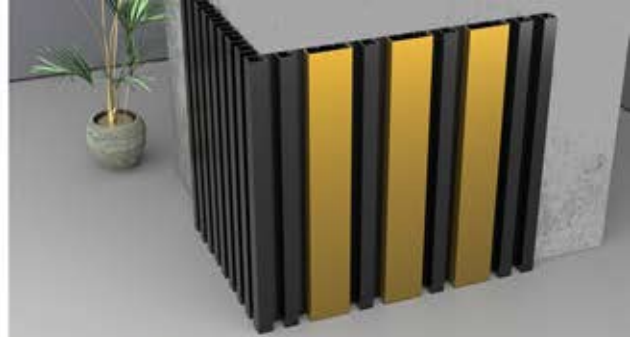
**Adaptable Cap System:** The innovative Cap System empowers you to easily alter the combination of cap shapes and colors, enabling customization that aligns perfectly with your design vision.

**Versatile Application:** Whether it's in commercial spaces like hotels and shopping malls or residential areas, Dsoal Panels seamlessly integrate as decorative features, enhancing the ambiance and elevating the overall look and feel.





Wide Cap



Light Channel



Blade Cap



Standard Cap



Extended Cap



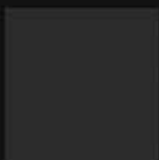
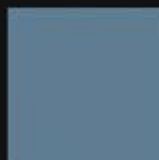


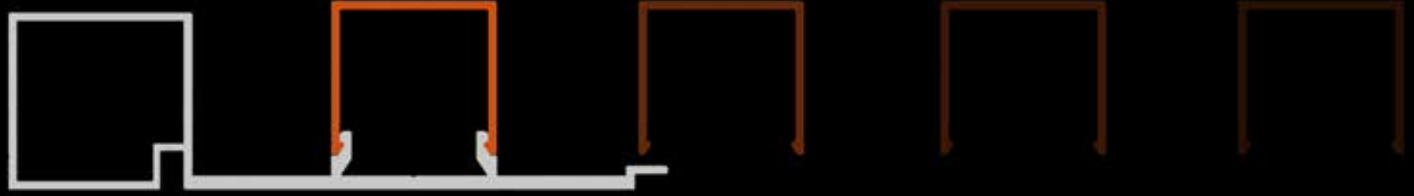
**DSOAL**

**SLEEK  
ALUMINUM  
DESIGN**



Dsoal Caps Color Collection







# **NORT**wood

WPC Fluted Panel

## **nort**WALL

uPVC Siding

## **Louver 100**

Privacy Screen



Aluminum Fluted Panel

Tech Support: 647.978.5013

Toll-Free: +1.888.308.8898

Email: [info@nortwood.com](mailto:info@nortwood.com)

[www.NORTwood.com](http://www.NORTwood.com)

### **USA**

375 N French Rd

Amherst, Unit 106

NY, 14228

Tel: +1 716.808.0380

+1 845 253.3237

### **CANADA**

133 Romina Drive

Concord, L4K4Z9

ON, Canada

Tel: +1 647.804.4060

+1 647.509.4060